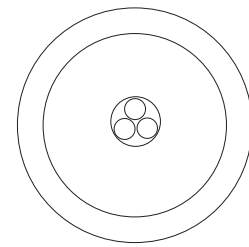
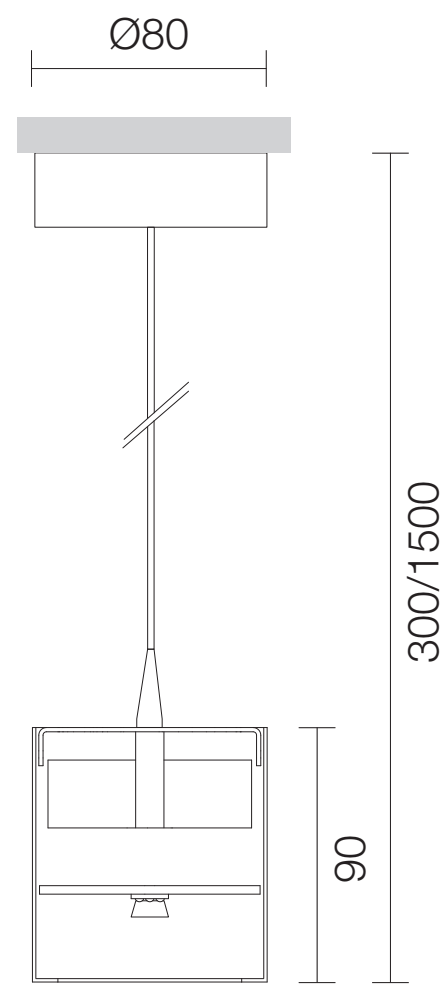


Ø81

T012LB A  
T012LA A



Ø81

T012LB M  
T012LA M